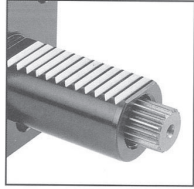


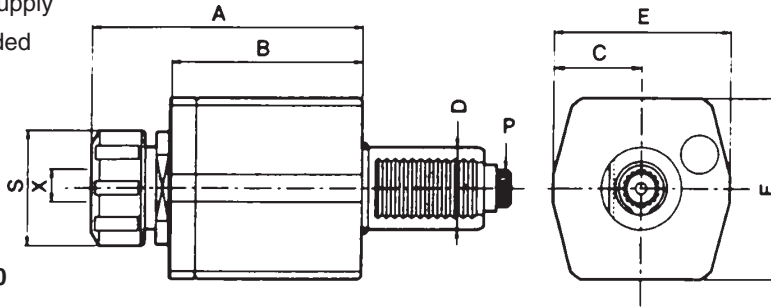


**AXIAL DRILLING AND MILLING HEAD WITH DIN 5480 DRIVE COUPLING**

- Uses ER collets
- External coolant supply
- Collet is not included



Coupling to DIN 5480

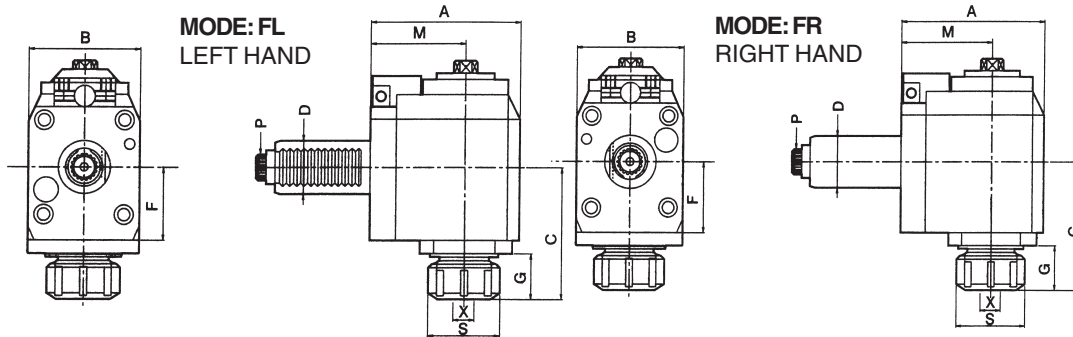


EA PART NUMBER	D DIN 69880	X CAPACITY	S	MAX RPM	i	A	B	C	E	F	P DIN 5480	
VDI DA30-5480-ER25	30	1-16	ER25	42	6000	1:1	101	70	33	66	66	W16X0.8
VDI DA40-5480-ER32	40	2-20	ER32	50	6000	1:1	89	55	39	79	78	W20X0.8

AXIAL TENSION COMPRESSION TAPPING HEADS ALSO AVAILABLE.

**RADIAL DRILLING AND MILLING HEAD WITH DIN 5480 DRIVE COUPLING**

- Uses ER collets
- External coolant supply
- Collet is not included



EA PART NUMBER	D DIN 69880	X CAPACITY	S	MAX RPM	i	A	B	C	F	G	M	P DIN 5480	
VDI FR30-5480-2565	30	1-16	ER25	42	5000	1:1	97	64	74.5	41	26	65	W16X0.8
VDI FL30-5480-2565													
VDI FR30-5480-2585	30	1-16	ER25	42	5000	1:1	117	64	74.5	41	26	85	W16X0.8
VDI FL30-5480-2585													
VDI FR40-5480-3265	40	2-20	ER32	50	5000	1:1	99	80	71	40	23	65	W20X0.8
VDI FL40-5480-3265													
VDI FR40-5480-3285	40	2-20	ER32	50	5000	1:1	119	80	71	40	23	85	W20X0.8
VDI FL40-5480-3285													
VDI FR40-5480-32100	40	2-20	ER32	50	5000	1:1	134	80	71	40	23	100	W20X0.8
VDI FL40-5480-32100													

NOTE: OUTPUT ROTATION IS OPPOSITE INPUT ROTATION.  
RADIAL TENSION COMPRESSION TAPPING HEADS ALSO AVAILABLE.