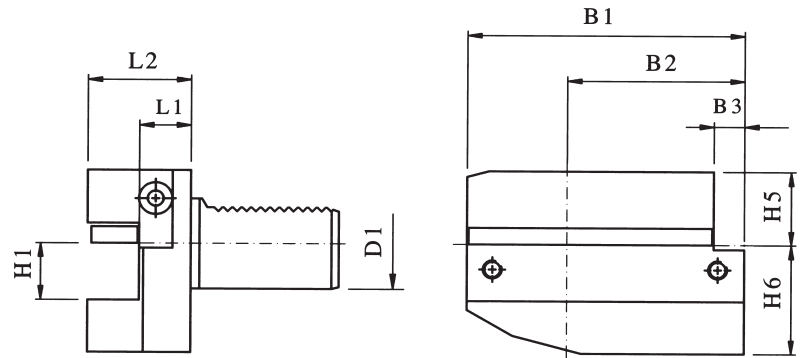
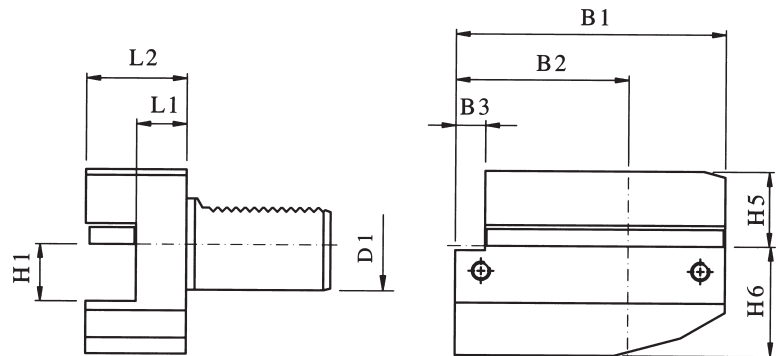


## RECTANGULAR TRANSVERSE TOOL HOLDER, FORM B5 right hand, long



EA PART NUMBER	D1	DIN DESIGNATION	H1 -0.1MM	B1	B2	B3	H5	H6	L1 +0.5	L2
E221.102.250	20	B5-20	5/8	75	50	7	25	30	16	30
E221.100.250	20	B5-20	5/8	75	50	7	25	30	26	40
E222.100.250	30	B5-30	3/4	100	65	10	28	38	22	40
E222.102.250	30	B5-30	3/4	100	65	10	28	38	42	60
E223.100.250	40	B5-40	1	118	75.5	12.5	32.5	48	22	44
E224.100.250	50	B5-50	1-1/4	130	80	16	35	60	30	55
E225.100.250	60	B5-60	1-1/4	145	82.5	16	42.5	62.5	30	60

## RECTANGULAR TRANSVERSE TOOL HOLDER, FORM B6 left hand, long



EA PART NUMBER	D1	DIN DESIGNATION	H1 -0.1MM	B1	B2	B3	H5	H6	L1 +0.5	L2
E221.117.250	20	B6-20	5/8	75	50	7	25	30	16	30
E221.115.250	20	B6-20	5/8	75	50	7	25	30	26	40
E222.115.250	30	B6-30	3/4	100	65	10	28	38	22	40
E222.117.250	30	B6-30	3/4	100	65	10	28	38	42	60
E223.115.250	40	B6-40	1	118	75.5	12.5	32.5	48	22	44
E224.115.250	50	B6-50	1-1/4	130	80	16	35	60	30	55
E225.115.250	60	B6-60	1-1/4	145	82.5	16	42.5	62.5	30	60