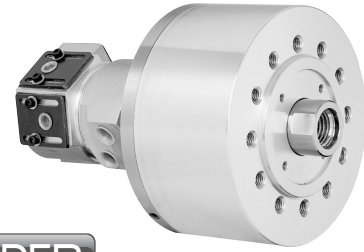


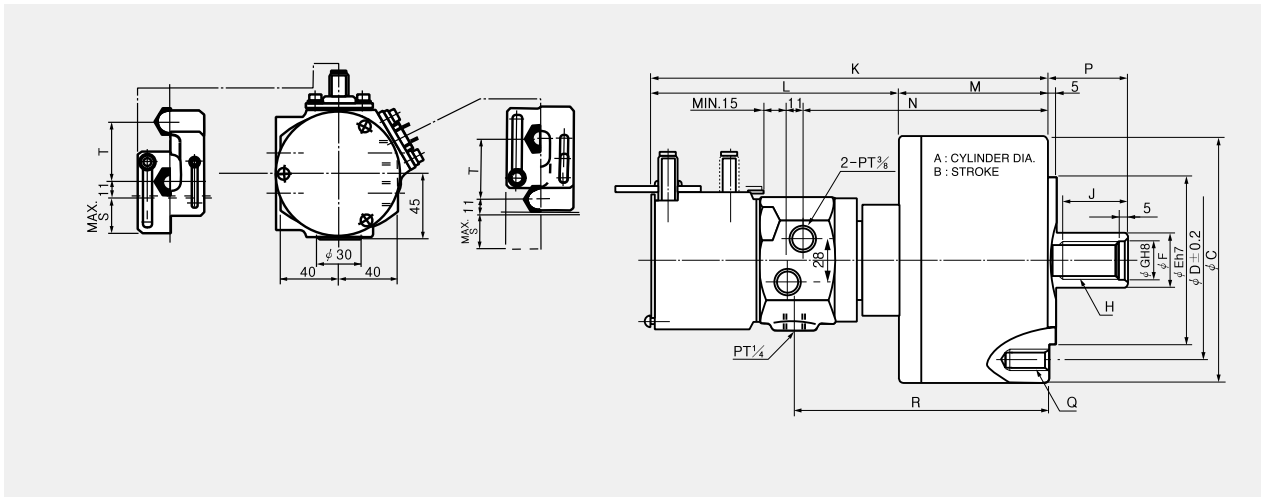
## Y-RE

Closed-Center Hydraulic Cylinder with Proximity Switch (75mm-125mm)



- Closed-centered hydraulic cylinder with built in lock and relief valves and proximity switch

### HYDRAULIC CYLINDER



#### Dimensions

	A	B	C	D	E	F	G	H	J	K	L	M	N	Pmax.	Pmin.	Q	R	S	T
Y-0715RE	75	15	104	90	65	30	21	M20×2.5	32	227	161	66	127	46	31	6-M6×20	133	23	41
Y-1020RE	105	20	135	100	80	30	21	M20×2.5	35	252	163	89	152	45	25	6-M10×20	158	23	41
Y-1025RE	105	25	135	100	80	30	21	M20×2.5	35	257	163	94	157	45	20	6-M10×20	163	23	41
Y-1225RE	125	25	160	130	110	35	25	M24×3.0	44	260	163	97	160	51	26	6-M12×24	166	23	41
Y-1240RE	125	40	160	130	110	35	25	M24×3.0	44	306	194	112	175	65	25	6-M12×24	181	-	-

#### Specifications

	PISTON STROKE (mm)	Piston Surface Area		Piston Force		Max. Operating Pressure MPa(kgf/cm <sup>2</sup> )	Total Leakage ℓ(min)	Max. r.p.m min <sup>-1</sup> (r.p.m)	weight kgf	GD <sup>2</sup> N·m <sup>2</sup> (kgf·m <sup>2</sup> )
		push cm <sup>2</sup>	pull cm <sup>2</sup>	push KN(kgf)	pull KN(kgf)					
Y-0715RE	15	44	37	16.6(1693)	13.9(1417)	4.0(40.8)	0.8	6000	4.5	0.118(0.012)
Y-1020RE	20	84	79	32.0(3264)	29(2957)	4.0(40.8)	0.8	6000	7.6	0.49(0.05)
Y-1025RE	25	84	79	32.0(3264)	29(2957)	4.0(40.8)	0.8	6000	7.7	0.49(0.05)
Y-1225RE	25	120	113	46.0(4692)	42(4283)	4.0(40.8)	0.8	6000	10.5	0.88(0.09)
Y-1240RE	40	120	113	46.0(4692)	42(4283)	4.0(40.8)	0.8	6000	11	0.88(0.09)

※Total leakage pressure: 3.0 Mpa (30.6 kgf/cm<sup>2</sup>) at 50° C. ※Specifications are subject to change without notice.